



# ASH CONVEYOR

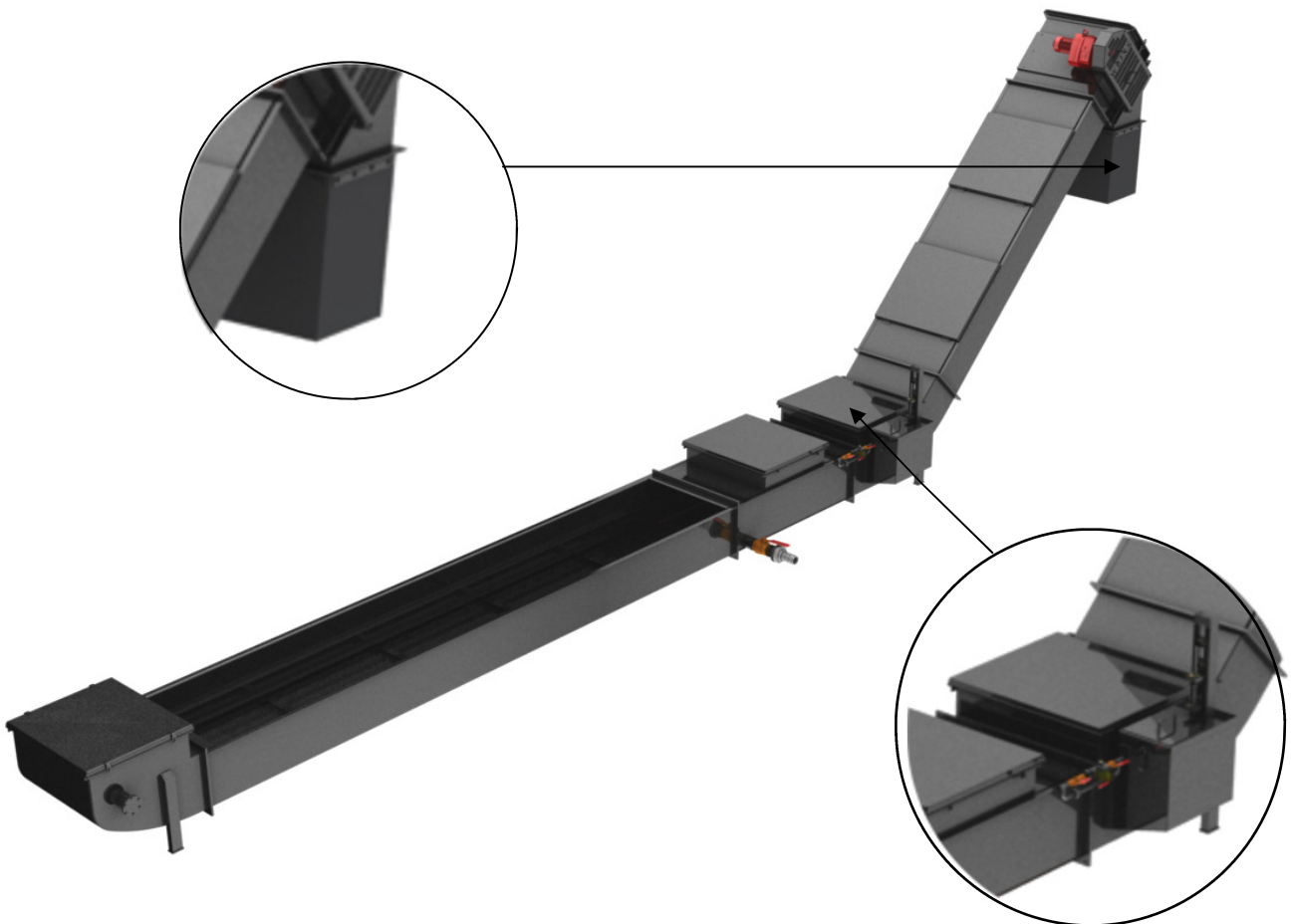
The key solution for ash conveying.

The WEISS ash conveyor has been designed for bottom ash removal and successfully used for years in bio-mass waste incineration.

## System benefits

- Low power consumption due to operating in intervals.
- High resistance to corrosion and low wear rates.
- Low water use.
- No risk of plugging in.

The conveyor is manufactured in two standard widths 560mm and 860mm.  
The length of the conveyor can be adjusted according to the different requirements.



Bottom ash continuously falls into the water-filled conveyor trough. Cooled ash is conveyed along the trough and discharged to a container or a storage area. The ash drains and dewater itself when travelling up the conveyor.

We reserve our right to alter the specifications at any time without prior notice.

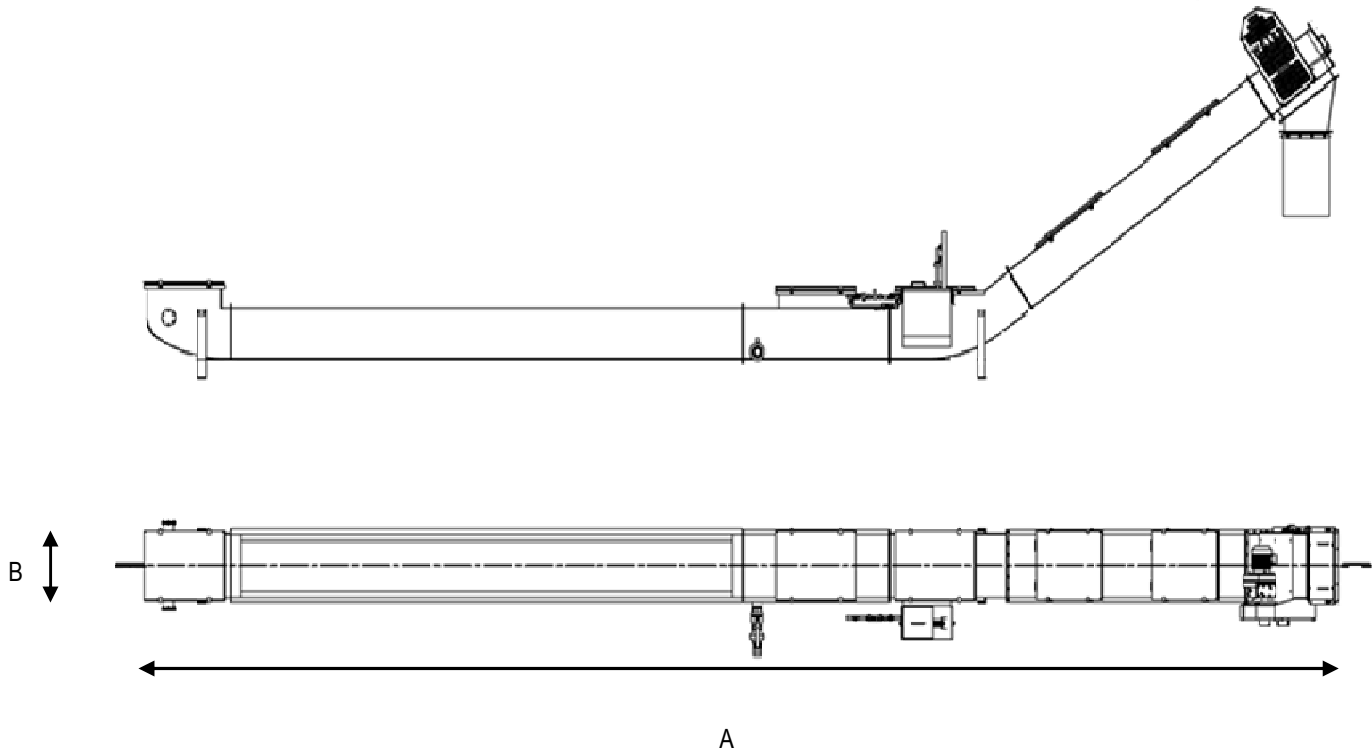
Weiss Sp. z o. o  
ul.Boemera 6 • 27-400 Ostrowiec Sw.  
Tel +48 41 26 36 975 • Fax +48 41 26 36 97  
[www.weiss-pl.com.pl](http://www.weiss-pl.com.pl)  
[weiss@weiss-pl.com.pl](mailto:weiss@weiss-pl.com.pl)

Weiss A/S  
Ved Stranden • DK-9560 Hadsund  
Tlf.: 96 52 04 44 • Fax 96 52 04 45  
<http://www.weiss-as.dk>  
[weiss@weiss-as.dk](mailto:weiss@weiss-as.dk)



# ASH CONVEYOR

The key solution for ash conveying.



Technical data	Unit	Type	
		A-V 560	A-V 860
Capacity	m <sup>3</sup> /h	0,2	0,33
Dimensions			
Width	mm	560	860
Height	mm	adjustable	adjustable
Length A	mm	adjustable	adjustable
Efficiency	kW	0,75	0,75
Chain	Mm	100	100
Ash specific gravity max	Kg/m <sup>3</sup>	500	500
Ash grain size max	mm	100x100x100	100x100x100

We reserve our right to alter the specifications at any time without prior notice.