



STRAW DIVIDER

The key solution for handling straw bales

The straw divider is a specially designed type of a shredder to store, transport, loosen and tear pressed straw bales before the straw is further pushed onto the furnace grate.

An effective operation of the straw divider is ensured by :

- Low power consumption
- Less risk of spreading fire
- No need to sharpen or exchange steel teeth
- Tight fire damper
- Automatic cleaning function

Steady and even material in-feeding ensures high efficiency to the bio-mass heating plant.

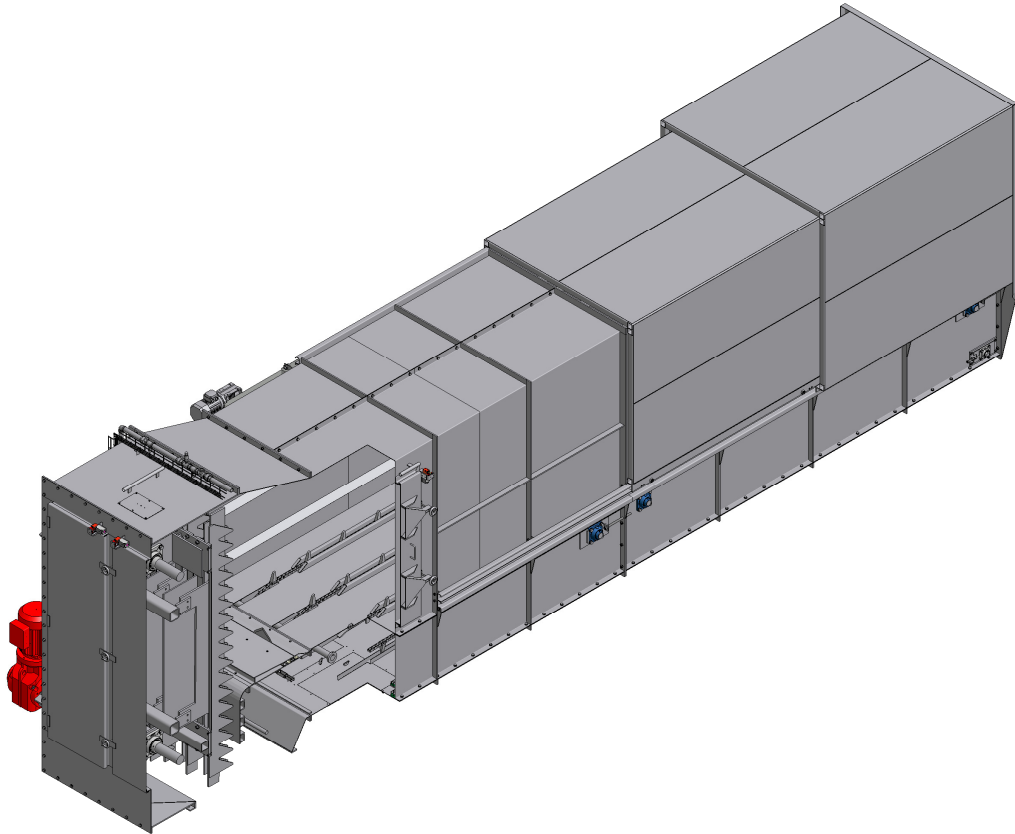


We reserve our right to alter the specifications at any time without prior notice.



STRAWDIVIDER

The key solution for handling straw bales



Technical data	
Strawdiver H-D-3	
Length	8940 mm
Height	Variable
Width	1700 mm
Capacity	2,0 ton/h
Power installation	10kW
Straw bales dimensions	1,2mx1,2m, max length of 2,8m

We reserve our right to alter the specifications at any time without prior notice.